

High purity pumps

东正一直致力于技术革新
是您值得信赖的事业伙伴
**Donjoy has been committed to
technical innovation, is your trustworthy
business partner!**

目录册技术资料仅供参考，
东正保留更新和升级的权利，恕不另行通知！

Catalogue technical information only for reference.
Donjoy reserves the rights to update and upgrade
without prior notice.

法律声明:

目录样册版权归东正所有，
如有抄袭，必将追究其法律责任和经济赔偿。
东正已获得国家版权局书刊号。
东正诸多产品技术，都具有专利保护，
如有抄袭，必将追究法律责任和经济赔偿。

Legal statement:

Copyright of the catalogue belongs to Donjoy.
If there is plagiarism, it will be investigated for legal
responsibility and economic compensation.
Donjoy has been granted publications number by
Chinese National Copyright.
Donjoy products and technology are with patent protection.
If there is plagiarism, it will be investigated for legal
responsibility and economic compensation.

温州空港新区总部生产基地 Wenzhou airport economic zone production base



占地面积约29000m²，总投资约1.2亿RMB，约2000万USD。

Covering an area of 29000 m², with total investment after construction is expected to 120 million yuan, about 20 million USD.

领先源于创新 创新源于专业

东正的专业与品质的邂逅源于创新的精神

东正创立于1993年，注册资本6088万(约1000万USD)，是一家专注于高精度PID阀门定位器，阀门控制单元，阀门位置反馈器、智能自控阀、比例调节阀、过程控制阀、高洁净泵、均质混合泵、清洗技术、压力容器和管道安全控制技术、高洁净管材和管道配件，集研发、生产与销售为一体的国家高新技术企业。产品用途涉及行业和领域有生物制药、食品饮料、酿酒、精细化工等工业领域。东正领先的技术和持续创新解决方案，对满足全球，尤其是新兴市场不断增长生物制药和食品饮料行业的需求起到了积极作用。

东正制造的产品母材料、加工技术、焊接技术、表面处理等技术指标均已达到国际领先水平。且符合ASME BPE、EHEDG、FDA、3A等一系列国际标准和规范要求。先后通过了由德国 TÜV 机构实施的欧盟承压设备指令(PED-97/23/EC)和(MD-06/42/EC)认证；美国 3A机构实施的3-A卫生标准认证；中国安全阀特种制造设备(TS)许可证和中国质量认证中心CQC ISO9001:2015 质量管理体系认证等多项国际权威认证。

东正凭借领先的技术、优异的品质和完善的售后服务体系，公司荣获为《国家高新技术企业》，《浙江省著名商标》、《科技型企业》、《创新型企业》、《专利示范企业》、《研发中心企业》，《守合同重信用AAA企业》等众多荣誉称号。





Leading from innovation, innovation from the professionalism! Donjoy's professionalism and quality come from the spirit of innovation!

Donjoy was founded in 1993, with registered capital RMB 60.88 million (about 10million USD) We focus on developing high-precision PID valve positioner, Valve Control unit, Valve Position feedback device, intelligent automatic control valve, proportional valve, process control valve, high purity pump, homogeneous mixing pump, cleaning technology, pressure vessel, pipeline safety control technology, high clean pipe fitting&pipeline accessories and integrating r&d, production and sales as an integrated national high-tech enterprises. Donjoy's products are widely used in bio-pharmaceutical, food and beverage, wine, fine chemical's and other industrial fields. Donjoy's leading technology and innovation solutions meets growing demand in the industry of bio-pharmaceutical, food and beverage from the whole world, special emerging market.

Raw material, processing technology, welding technology, surface treatment and other technology from Donjoy have achieved advanced level in international market. It also complies with a series of international standards and specifications such as ASME BPE, EHEDG, FDA and 3A , It has passed the EU Pressure Equipment Directive (PED-97/23/EC) and (MD-06/42/EC) issued by the German TÜV organization; the 3-A health standard certification issued by the 3A organization; China Safety Valve Special Manufacturing Equipment (TS) License , China Quality Certification Center (CQC) and Quality Management System Certification (ISO9001:2015) and many other international authoritative certifications.

With advanced technology, excellent quality and perfect after-sales service system, Donjoy was awarded as National High-tech Enterprise, Provincial Famous Trademark, Science and Technology Enterprise, Innovative Enterprise, Patent Demonstration Enterprise, R & D Center Enterprise, AAA Credit Enterprise and many other honorary.



全面的创新技术能力
为您带来创造性的解决方案



Comprehensive innovation technology, capabilities Bring you creative solutions

东正拥有诸多领先的产品技术，如各种比例调节阀、过程自控阀、生物制药隔膜阀、防混双座阀、压力容器和管道安全控制技术、清洗技术、高洁净转子泵、螺杆泵、离心泵、自吸泵、均质乳化泵、均质混合泵、卫生管件和无菌管件等.....

Donjoy owes many leading technology products, such as various proportioning regulating valve, process automatic control valve, pharmaceutical diaphragm valve, mixed double seat valve, pressure vessel and pipeline safety control technology, clean technology, high cleanliness rotor pump, screw pump, centrifugal pump, self-priming pump, homogeneous emulsion pump, homogeneous mixing pump, sanitary fittings, aseptic pipe fittings and so on.



企业的成功源于创新。东正的成功基于创始人“开拓创新、追求卓越”的创新精神，1994年东正开发了第一只高洁净的蝶阀，这只蝶阀是东正的起始点。

控制器的研发成就完美的过程自动控制，2004年东正成功研发了技术领先的阀门定位器、阀门控制单元。

高洁净泵的研发确保物料输送的洁净，2006年东正成功研发了高精度的转子泵、离心泵、混合泵、自吸泵。

我们一直走在行业与时代的前沿，把不断革新、日新月异的市场发展和客户需求作为自身最大的挑战。东正有自己的独立的思维和视野，始终保持领先致力于产品在新经济领域中的开发和应用。未来我们将一如既往的坚持以技术创新、以顾客为导向走向新的成功。



Success of an enterprise stems from innovation. Donjoy's success is based on the founder's innovative spirit of "pioneering innovation and pursuing excellence". In 1994, Donjoy developed the first highly purity butterfly valve, which was the starting point of Donjoy.

Research and development of the controller achieves perfect automatic process control. In 2004, Donjoy has successfully developed advanced valve positioner and valve control unit.

Research and development of high purity pump to ensure the purity of medium transportation. In 2006, Donjoy has successfully developed high precision lobe pump, centrifugal pump, mixing pump and self-priming pump.

We are always at the forefront of the industry and times, taking the continuous innovation of technology, rapid market development and customer demand as our biggest challenge. Donjoy has its own independent thought and horizons, and always maintains a leading position in the development and application of products in the new economic field. In future, we will continue to adhere to technological innovation and customer-oriented towards new success.



精益加工车间 Lean processing workshop



东正以科学技术领先为第一生产力，也是企业核心竞争力。只有不断投入核心技术研发和创新，不断追求卓越、精益求精、以先进生产设备，严格的质量管理体系，严谨的检测流程、保证每款产品的优良性能。

Donjoy takes leading in science and technology as the first productivity as well as the core competitiveness of the enterprise. With continuous investment in core technology research, development and innovation; constant pursuit of prominence and excellence; advanced production equipment; strict quality management system; and rigorous testing process, we ensure excellent quality and performance of every product.



机器人生产线 Robot production line

装配车间 Assembly workshop



荣誉与资质 Honor and qualification

	<p>3A</p> <p>东正是美国3A认证组织的成员。3A是一个自愿组织，致力于维护公共卫生和奶制品产品质量通过独特的行业监管程序的设备，用于处理乳制品的卫生标准3-A。</p> <p>Donjoy is a member of US 3A Certification Organization, 3A is a voluntary organization dedicated to maintaining the quality of public health and dairy products through a unique industry regulatory process for the treatment of dairy product hygiene standards 3-A.</p> <ul style="list-style-type: none"> ◆54-02 (Diaphragm-Type Valves)-NUMBER: 1580-隔膜阀 ◆02-11 (Centrifugal and Positive Rotary Pumps) NUMBER: 1579-高洁净泵 ◆85-03 (Double-Seal Mixproof Valves) NUMBER: 1797-双座防混阀 ◆64-03 (Pressure Reducing and Back Pressure Regulating Valves) NUMBER: 1764-减压阀&调节阀 ◆53-05 (Compression-Type Valves) -NUMBER: 1782-单座阀(单向阀) ◆68-03 (Ball-Type Valves) NUMBER: 1785-球阀 ◆55-02 (Boot Seal-Type Valves) NUMBER: 1783-无菌取样阀 ◆04-02 (Personnel Access Ports for Wet Applications) NUMBER: 1786-人孔。 ◆63-03 (Sanitary Fittings) NUMBER: 1581-卫生管件
	<p>PED/97/23/EC&MD/06/42/EC</p> <p>由德国TÜV机构实施的欧盟承压设备安全指令 (PED-97/23/EC)，机械安全指令MD-06/42/EC。</p> <p>EU Pressure Equipment Safety Directive (PED-97/23/EC), Machinery Safety Directive MD-06/42/EC, implemented by TÜV, Germany.</p> <ul style="list-style-type: none"> ◆MD/06/42/EC NUMBER: 705201402401-00 - LOBE PUMP转子泵 ◆MD/06/42/EC NUMBER: 705201616101-00 - Centrifugal pump 离心泵 ◆PED/97/23/EC NUMBER: DGR - 0036-QS-1153-14-Valves 阀门系列
	<p>安全阀特种制造许可证(TS) Safety valve special manufacturing license</p> <p>东正通过了安全阀特种制造许可证，目前是国内首家通过“高洁净安全阀特种制造许可证”的企业(安全附件及安全保护装置)。</p> <p>◆其证书编号：TSF 733008-2019</p> <p>Donjoy has passed the safety valve special equipment manufacturing license. Recently, is the first enterprise in China to pass the "Special Manufacturing License for High Clean Safety Valves" (safety accessories and safety protection devices). ◆Certificate number: TSF 733008-2019</p>
	<p>FDA.177.2600</p> <p>东正制造的高洁净阀门和泵以及流体设备等，与物料接触密封面全部通过或符合美国食品和药品管理局和联邦法规第21条即，CFR 21 FDA177.2600和FDA177.1550认证，其涵盖：EPDM VITON (FPM) SILICON HNBR 等橡胶和PTFE 塑料材料。 ◆符合美国 3-A-18-03-CLASS - II</p> <p>The seals of Donjoy's high-cleaning valves, pumps and fluid equipment that contact with material, all pass or comply with the US Food and Drug Administration and Federal Regulations issue 21, i.e. CFR 21 FDA177.2600 and FDA177.1550 certification. The seals cover : EPDM, VITON (FPM), SILICON, HNBR and other rubber & PTFE plastic material. ◆Meets US 3-A-18-03-CLASS - II</p>
	<p>ISO-9001-2015</p> <p>东正通过中国质量认证中心CQC ISO9001-2015/GB/T19001-2015企业质量管理体系认证。 ◆其证书编号：00117Q38464R4M/3302</p> <p>Donjoy passed the China Quality Certification Center CQC, ISO9001-2015/GB/T19001-2015 enterprise quality management system certification. ◆Its certificate number is 00117Q38464R4M/3302.</p>
	<p>卫生许可证 Hygiene License</p> <p>东正通过了省卫生厅卫生阀门、卫生管件等检验且获得了其颁发的证书。 ◆其批准文号：第0056号</p> <p>Donjoy passed the inspection of sanitary valves and sanitary fittings of the Provincial Health Department and obtained the certificate issued by it. ◆Its approval number: No. 0056</p>
	<p>国家高新技术企业 National High-Tech Enterprise</p> <p>东正，经过20余年发展和技术研发，2011年被评定为国家高新技术企业。</p> <p>Donjoy, after more than 20 years of development and technology research & development, was assessed as a national high-tech enterprise in 2011.</p>
	<p>浙江省著名商标 Zhejiang province famous trademark</p> <p>东正，凭借先进的技术、优良的品质和完善的售后服务体系，2012年被浙江省工商厅评定为浙江省著名商标。</p> <p>Donjoy, by virtue of advanced technology, excellent quality and perfect after-sales service system, was recognized as a famous trademark of Zhejiang Province by the Industrial and Commercial Bureau of Zhejiang Province in 2012.</p>

东正不但拥有以上认证和荣誉，且被评定为省科技型、创新型、专利示范、研发中心、重合同守信用等诸多荣誉。并拥有100多项专利技术。

Donjoy not only owes above certification and honors, but also has been evaluated as provincial science and technology type, innovation, patent demonstration, research and development center, contract keeping and other honors. It also owes more than 100 patented technologies.

荣誉与资质 Honor and qualification



东正不但拥有以上认证和荣誉，且被评定为省科技型、创新型、专利示范、研发中心、重合同守信用等诸多荣誉。并拥有100多项专利技术。

Donjoy not only owes above certification and honors, but also has been evaluated as provincial science and technology type, innovation, patent demonstration, research and development center, contract keeping and other honors. It also owes more than 100 patented technologies.

工艺管道连接对泵使用的影响

The effect of pipe connection on pump usage




ABB
IE2 IEC 60034-1
3-Motor

No.	V	Hz	kw	r/min	A	cosφ	F	IP55
	230△	50	1.5	1441	6.11	0.74	S1	
	400 Y	50	1.5	1441	3.53	0.74	S1	
	230△	50	1.5	1435	6.10	0.78	S1	
	380 Y	50	1.5	1435	3.53	0.78	S1	
	460 Y	60	1.5	1741	3.22	0.70	S1	
	440 Y	60	1.5	1735	3.17	0.74	S1	

50Hz:IE2-82.8(100%)
60Hz:IE2-84.0(100%)
Prod.code 3GBA092510-ASCCN
6205-2Z/C3 6024-2Z/C3 23 kg

说明：铭牌图片仅供格式参考，最终数据以实际铭牌为准。
Remark: The format of the rating plate is for reference only, the final figure will be subject to the actual rating plate.

宽电压电机 Wide Voltage Motor

功率 Power(KW)	电压范围 Voltage	功率 Power(KW)	电压范围 Voltage
0.55	210V-230V/50HZ	4.0-5.5	360V-400V/50HZ
0.75		7.5-11	
1.1-1.5	420V-460V/60HZ	15-18.5	420V-460V/60HZ
2.2-3.0		22-30	

注意：电机采用 IEC EN IE2 能效等级，PTC 热敏电阻。（相当于中国二级能效）
Note: The motor adopts IEC EN IE2 energy efficiency class, PTC thermistor. (Corresponding to China level two energy efficiency)
注意：其他电机功率、电压、频率等，请联系东正。
Note: Other motor power, voltage, frequency, etc., please contact DONJOY

O型圈配置 O-ring Configuration

我们所采用密封橡胶都符合 FDA 177.2600; 3-A-18-03; Class II; USP Class VI Chapter 88 GB 4806.11; 等各种卫生高洁净的要求。

EPDM=标准

适用范围：温度 -10°C 到 130°C; PH 值约 5-9, 可耐受各种卫生领域介质及工业化学品, 成本低(推荐)。

FKM(Viton)=选项

适用范围：温度 -10°C 到 150°C; 可耐受各种卫生领域介质及工业化学品、油品等各种介质。

FFKM=选项

适用范围：温度 -30°C 到 250°C; 可耐受各种卫生领域介质及工业化学品、油品等各种介质, 几乎可以涵盖所有介质, 成本较高。

HNBR=选项

适用范围：温度 -10°C 到 150°C; 可耐受各种卫生领域介质及工业油品等各种介质, 特别适用于油品。

The sealing rubbers we use are in compliance with hygienic and high purity requirements, such as FDA 177.2600; 3-A-18-03; Class II; USP Class VI Chapter 88 GB 4806.11 and so on.

EPDM=Standard

Scope of application: Temperature -10 °C to 130°C; PH value about 5-9, can tolerate with various media in the health field and industrial chemicals, low cost (recommended)

FKM(Viton)=Option

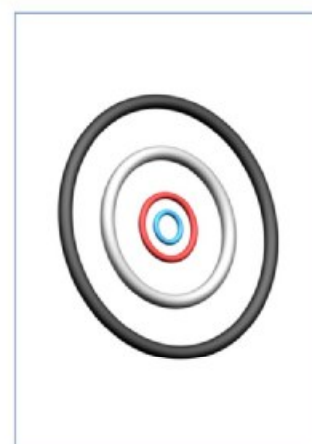
Scope of application: Temperature -10°C to 150 °C; can tolerate with various media in the health field, industrial chemicals, oils and so on.

FFKM=Option

Scope of application: Temperature -30°C to 250°C; can tolerate with various media in the health field, industrial chemicals, oils, etc., can cover almost all media, higher cost

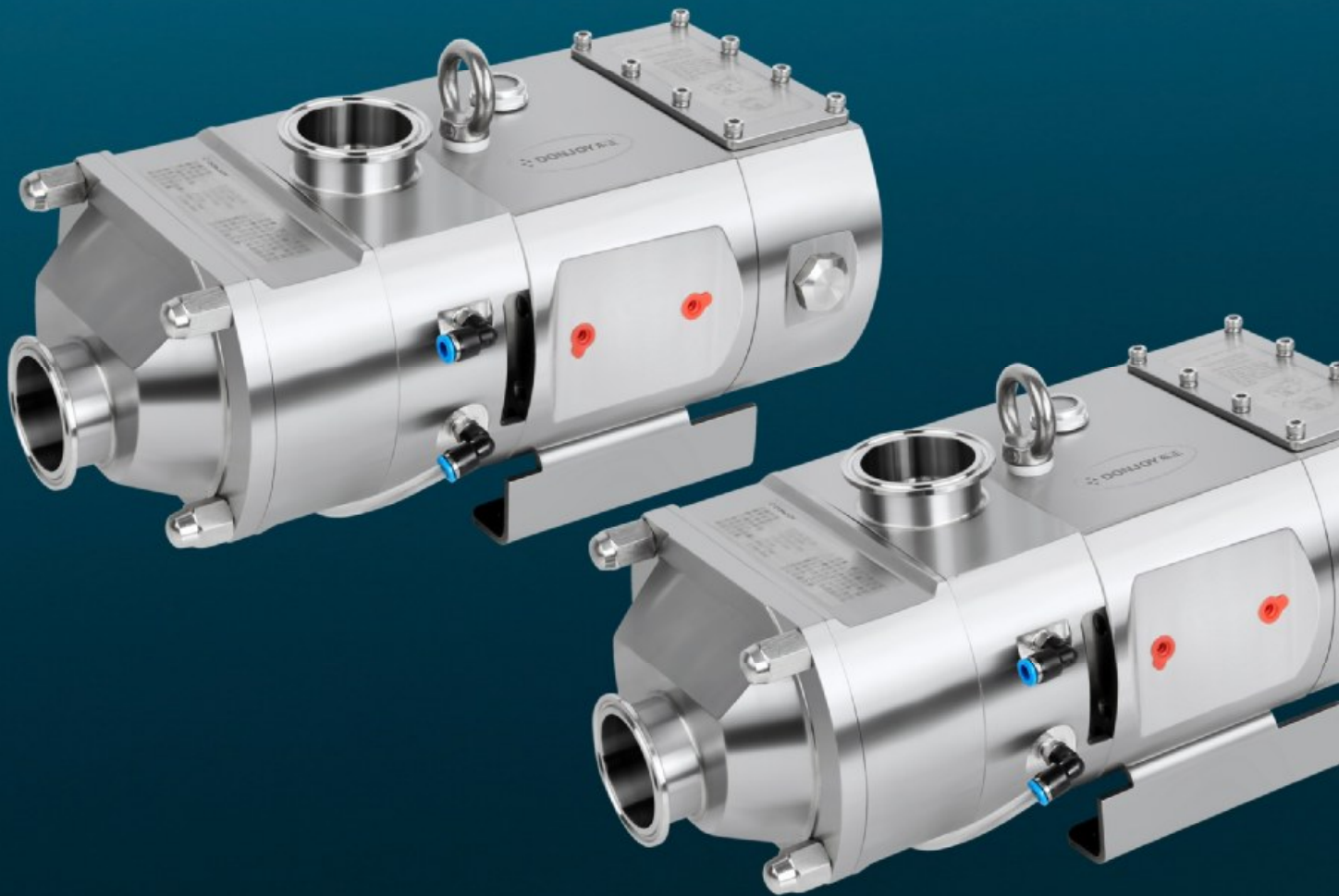
HNBR=Option

Scope of application: Temperature -10 °C to 150°C; can tolerate with various media in the health field, industrial oils, etc., especially suitable for oil products.



LG series twin screw pump

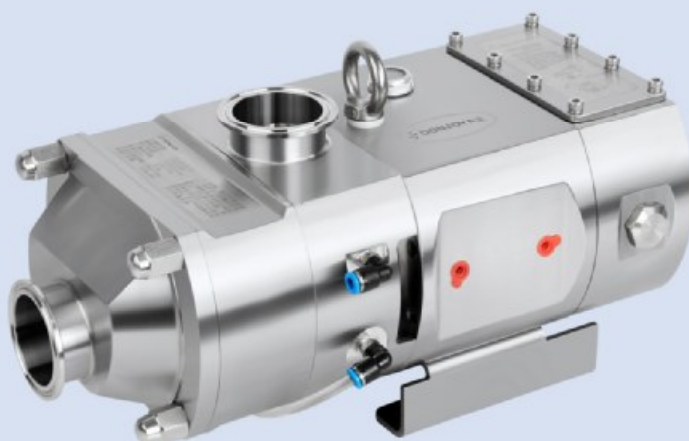
LG 系列双螺杆泵



LG 系列双螺杆泵

LG series twin screw pump

双向可逆、高压、高低粘稠、
大颗粒、无脉冲、液体输送的柔性解决方案
Flexible solution for two-direction reversible,
high pressure, high viscosity, large particle,
pulse free, liquid delivery

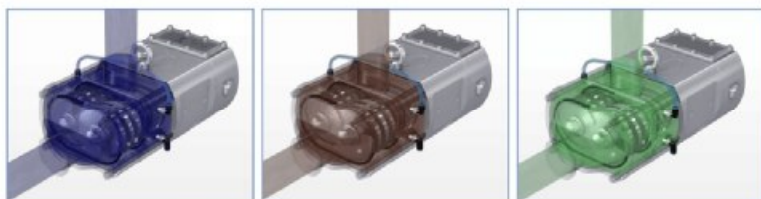


双螺杆泵具有较强的自吸能力，可输送含有固体颗粒、气液混合物、高粘稠、低粘稠等物料；它不但用于物料抽取和输送，也可应用在CIP和SIP系统上，可减少管路、阀门、CIP专用泵，不仅提高效率、且可以降低成本。该泵还具有其他容积泵所不具备的性能，如，无脉冲、颗粒无破损、高压、转速范围广、流量范围大等特点。

Twin-screw pump has strong self-priming ability, can transport solid particles, gas-liquid mixture, high viscosity, low viscosity and other materials. The pump not only can extract and convey materials, but also apply for CIP and SIP systems, can reduce pipeline, valve and CIP exclusive pumps, which improve efficiency and save cost. It has extra characteristics, that other volume pumps do not have, such as no pulse phenomenon, no particle damage, high pressure, wide speed range, large flow range and so on.

技术参数 Technical Specifications

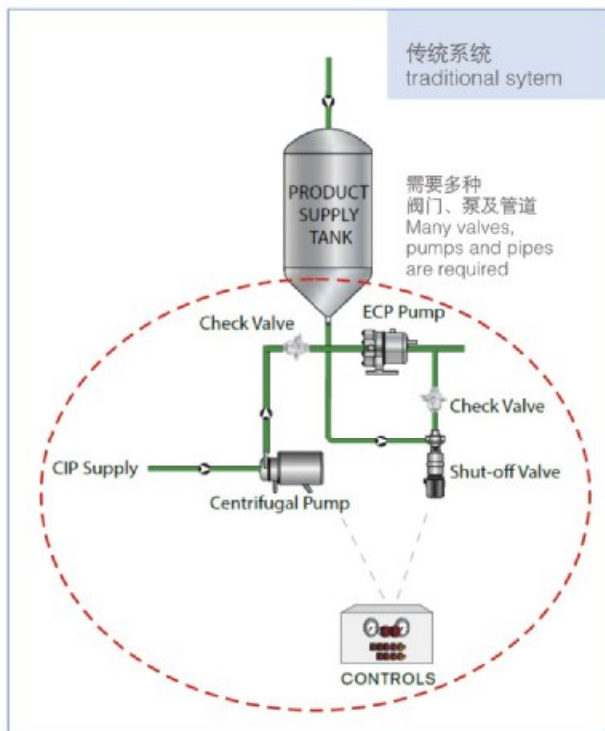
最大流量 Max flow	110m ³ /h
最大颗粒 Max particles	23mm
最高压力 Max pressure	20bar
转速范围 Speed range	10-3500 R.P.M
工作温度 Working temperature	-40°C to 150°C
表面处理 Surface treatment	Ra ≤ 0.6 μm; Ra ≤ 0.4 μm
材质 Material	100%不锈钢, 介质接触部分316L 100% stainless steel, product contact part 316L
认证 Certification	3-A-02-11 No.1759; FDA 177.2600; CE-MD/06-42 No.705201402401-00



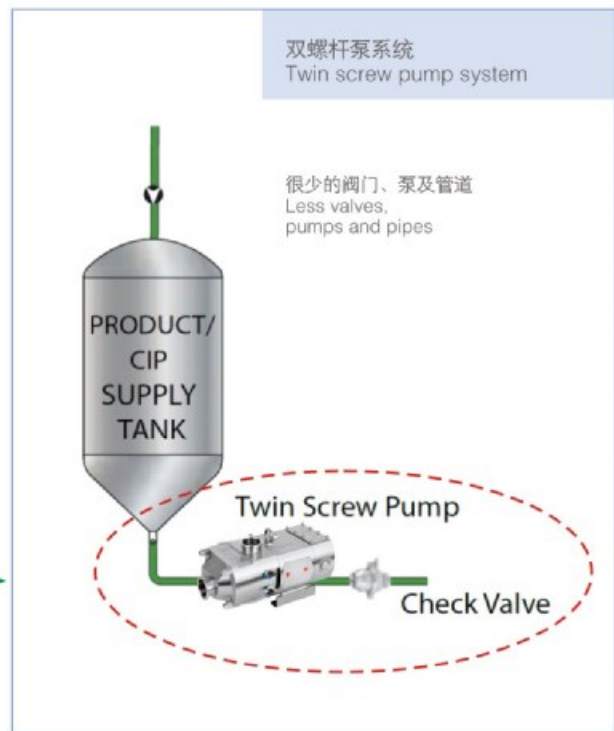
最大限度减少过程中的泵/阀门和控制

After used screw pump, other auxiliary pumps and valves and controllers can be reduced as more as possible

其他方案CIP清洗和介质输送的配置 Other solutions CIP cleaning and media delivery configuration



螺杆泵方案CIP清洗和介质输送的配置 Screw pump solutions CIP cleaning and media delivery configuration



凭借其较强的自吸能力，LG系列螺杆泵既具有输送高粘度和低粘度能力，又具有抽取CIP液和清洗功能。选择LG系列螺杆泵可以让您减少CIP专用泵和阀门控制系统以节省设备成本投入。

With its strong self-priming capacity, the LG series screw pumps have the ability to deliver high viscosity and low viscosity medium, as well as CIP liquid extraction and cleaning functions. Choosing LG series screw pump will help you to reduce using CIP dedicated pump and valve control system, it will save cost.



螺杆间距选择

Choose the right screw spacing for your process

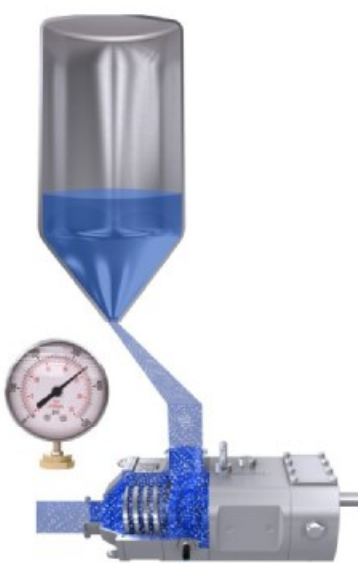



选项1：大间距螺杆，更大的流量，可输送更大颗粒物，但相比较小间距螺杆压力会更低；

选项2：小间距螺杆，流量更小，但压力更高，可输送通过颗粒也同样会更小。

Option 1: Large screw spacing, larger flow rate, can deliver larger particles, but the pressure will be lower compared with small spacing screw.

Option 2: Small screw spacing, lower flow rate but higher pressure, the particles that can be transported will also be smaller.

		
小间距螺杆 Small spacing screw	中等间距螺杆 Middle spacing screw	大间距螺杆 Large spacing screw
更高压力，更小流量，更小颗粒 Higher pressure, lower flow rate, smaller particles	中等压力，中等流量，中等颗粒 Middle pressure, Middle flow, Middle particles	较低压力，更大流量，更大颗粒 Lower pressure, larger flow rate, larger particles

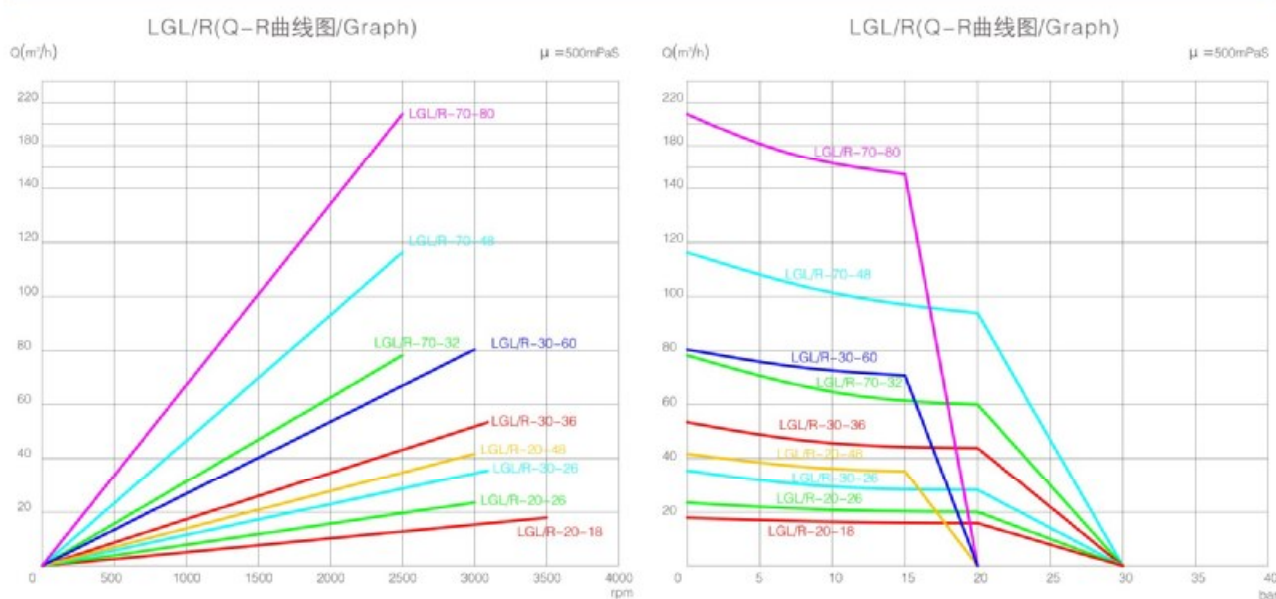
技术特性选型表

Technical characteristics selection table



型号 Model	螺杆间距 Screw spacing (mm)	每转排量(L/r) Flow per rotation	最大流量 Max flow (L/m)	最大流量 Max flow (m ³ /h)	最高转速 (rpm) Max speed (minutes)	最大固体 Max solid (mm)	最大压力 Max pressure (bar)	泵头进口 Pump head port (inlet)	泵体出口 Body port (outlet)	重量 Net weight (kg)
LG-L/R-20-18	18	0.09	324	19.4	3600	8.5	20	1.5"-2"	1"-1.5"	29.9
LG-L/R-20-26	26	0.13	468	28.1	3600	12.5	20			
LG-L/R-20-48	48	0.22	638	38.3	2900	23.5	15			
LG-L/R-30-26	26	0.20	580	34.8	2900	12.5	20	2.5"-3"	2"-3"	58.7
LG-L/R-30-36	36	0.29	841	50.5	2900	17.5	20			
LG-L/R-30-60	60	0.46	1334	80.0	2900	29.5	15			
LG-L/R-70-32	32	0.53	1537	92.2	2900	15.5	20	3"-4"	3"-4"	154.7
LG-L/R-70-48	48	0.79	2291	137.5	2900	23.5	20			
LG-L/R-70-80	80	1.40	4060	243.6	2900	39.5	12			

LG 螺杆泵曲线图 LG screw pump graph



典型的产品应用 Typical product application



食品与饮品 Food and Beverage

汤、炖肉、番茄酱、蔬菜、调味品、巧克力、脂肪和油、奶油馅料、啤酒厂、麦芽汁、软/果汁饮料、肉类加工。

Soup, stew, ketchup, vegetables, condiments, chocolate, fat and oil, cream filling, breweries, wort, brewery, wort, soft drink/fruit juice, meat processing.



乳业 Dairy

奶油、牛奶、奶酪凝乳和乳清、干酪、酸奶。

Cream, milk, cheese curd and whey, cottage cheese, yogurt.



医药/化妆品 Medicine/Cosmetic

药膏、糖浆、提取物、浆液、面霜和乳液、头发定型凝胶和液体、染料和醇类、肥皂、化妆品。

Ointment, syrup, extractive, serum, face creams & emulsion, hair styling gels & liquids, dyes and alcohols, soap, cosmetics.



化工/工业 Chemical/Industrial

溶剂、油漆、燃料、树脂、聚合物和淤泥、石油和润滑油。

Solvents, paints, fuels, resins, polymers & sludges, oil & lubricants.

非常丰富而灵活的组合 Very rich and flexible combination



LG-R 卧式螺杆泵(推荐配置) LG-R Screw Pump (recommended configuration)

LG-R-卧式螺杆泵标准配置，进出口双向可逆，控制电机反向旋转即可将达到物料反向输送的目的。

LG-R-screw pump's standard configuration is inlet and outlet bi-directional reversible, control the reverse rotation of the motor can achieve the purpose of material reverse conveying.



LG-L 立式螺杆泵(选型配置) LG-L-Screw Pump (Selection Configuration)

LG-L-立式螺杆泵标准配置，进出口双向可逆，控制电机反向旋转即可达到物料反向输送的目的。

LG-L-screw pump's standard configuration is inlet and outlet bi-directional reversible, control the reverse rotation of the motor can achieve the purpose of material reverse conveying.



螺杆泵+保温夹套 Screw Pump + Heating Jacket

配置保温夹套的螺杆泵广泛应用于输送各种易凝固的物料，如输送巧克力，糖果，胶体等在常温下凝固或易变质的物料，根据工艺要求配备前盖保温或者四周保温等机构。

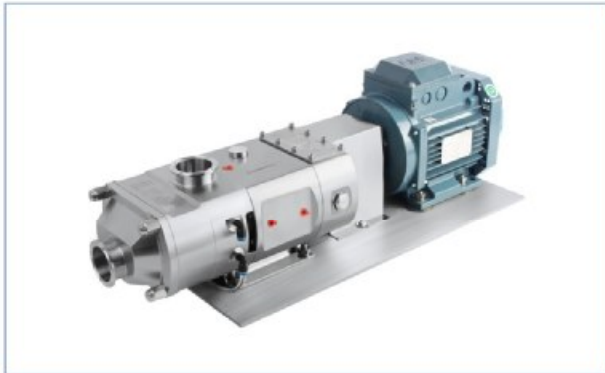
Screw pump with heat jacket is widely used for transporting materials which are frozen or will freeze or perishable at room temperature, such as chocolate, candy, gum, etc.. According to the process requirements, it is equipped with front cover heating jacket or surrounding heating jacket structure.



变频电机斜齿轮螺杆泵 Variable frequency motor helical gear screw pump

配置了斜齿轮变速箱和变频电机，该配置可根据用户个性化需要，设定、编辑变频器，也可通过PLC编程实现自动控制。

The pump is equipped with helical gear gearbox and frequency variable motor. According to the user's individual needs, can set and edit the inverter, can also be automatically controlled by PLC programming.



电机直连式螺杆泵(推荐配置) Motor Direct-connected Screw Pump (recommended configuration)

配置了电机直连式，是指电机未通过减速机或其他的中间装配间接连接泵，而是直接连接到螺杆泵，该配置可根据用户个性化需要，设定、编辑变频器，也可通过PLC编程实现自动控制。

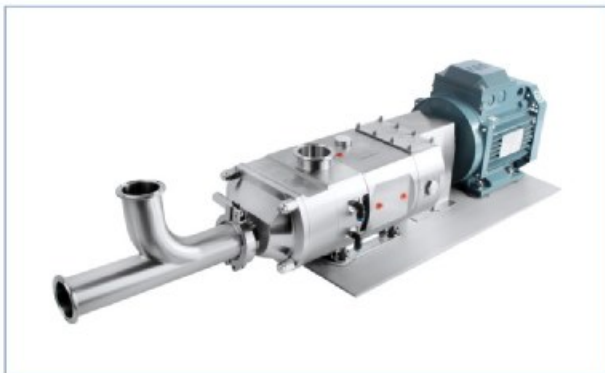
Motor direct-connected means that the motor is not connected to the pump through the reducer or other intermediate assembly, but is directly connected to the screw pump. This configuration can set and edit the inverter according to the user's individual needs. PLC programming implements automatic control.



全防护螺杆泵 Screw Pump With Whole Cover

全防护罩可减少因泵驱动装置不规则的卫生死角同时保护电机和保护人身安全。

Pump with whole protecting cover can reduce dead angle due to irregular pump driving device. Protecting cover can also protect motor and personal safety.



物料混合接口螺杆泵 Screw Pump With Material Mixing Connector

该配置前端加装专用物料混合接口，该装置非常的简单方便，既可以安装在前盖，也可以安装上泵体上。

The front end of this configuration is equipped with a dedicated material mixing connector. The device is very simple and convenient, and can be installed either on the front cover or on the pump body.

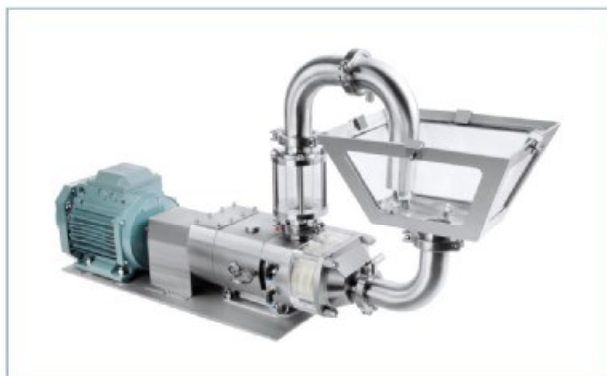


外置安全系统螺杆泵 Screw Pump With External Safety System

外置安全系统，可有效解决因管路堵塞或其他问题引起的出口压力瞬间增加而损坏仪器和设备。

Screw pump with external safety system can effectively solve damage to instrument and equipment caused by the sudden increase of the outlet pressure caused by pipeline blockage or other problems.

非常丰富而灵活的组合 Very rich and flexible combination



法兰料斗螺杆泵 Screw Pump With Flanged Hopper

该泵设计有方形法兰料斗和圆形法兰料斗两种，配置有料斗和螺杆泵，该装配主要用来加入粉体、颗粒、固体等各种加料所需功能。

There are two kinds of flanged hopper, square and circular. It is equipped with a hopper and a screw pump. This pump is mainly used to add material such as powder, granules and solids.



机械无极调速螺杆泵 Mechanical stepless speed regulating screw pump

该泵配置了机械无极变速箱，可通过变速箱的手轮调速器，调控至工况所需要的转速。具有操作简单，方便，成本低。

The pump is equipped with mechanical stepless gearbox, can be adjusted to the required speed through the gearbox's handwheel governor. It is simple-operating, convenient and low cost.



移动车+控制盒螺杆泵 Screw Pump With Trolley And Console

移动车带有两个轮子刹车。

控制盒有两种设计：

- 1) 基本控制：启动、停止、急停、电机过载保护。
- 2) 变频控制：启动、停止、急停、电机过载保护、变频器、指示灯。

Two wheels of the trolley can brake.

The console is available in two designs:

- 1) Basic control: start, stop, emergency stop, motor overload protection.
- 2) Frequency conversion control: start, stop, emergency stop, motor overload protection, frequency converter, indicator light.



伺服电机减速输出螺杆泵 Servo motor speed reducing output screw pump

伺服电机减速机输出是目前较为先进的控制方法，它具有精度高、噪音低、体积小、重量轻、恒力扭矩等。用户可根据需要编辑个性化程序实现多任务、多功能控制。

Servo motor reducer output is a relatively advanced control method currently. It is with high precision, low noise, small size, light weight, constant torque, etc.. Users can edit personalized program to achieve multi-tasking and multi-function control as needed.

电机直连式螺杆泵选型表

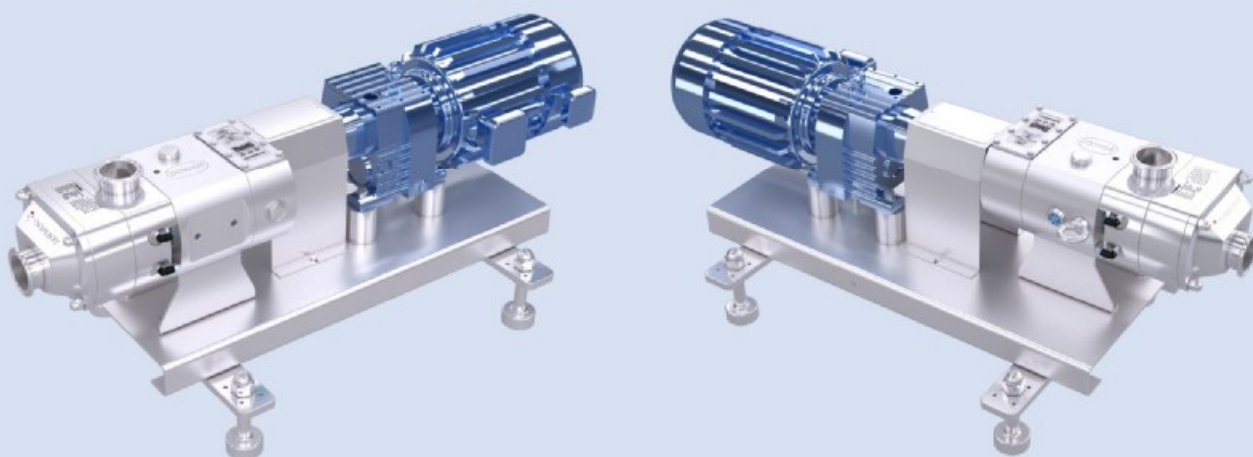
Motor direct-connected screw pump selection table



型号 Model	螺杆间距 Screw spacing (mm)	压力 Pressure (bar)	电机 Motor (kw)	最大固体 Max solid (mm)	每转排量 Flow per rotation (L/r)	建议转速 范围(分钟) Suggested speed range (r/min)	建议转速 流量范围 Suggested flow range (m ³ /h)		默认转速 (可调范围) Speed / adjustable range (HZ)	进、出口 Input outlet (Size)	重量 Net weight (kg)
LG-LR-20-18	18	4	1.5	8.5	0.09	100-2000	0.54	10.8	950(6P) (0-100hz可调)	1.5"-1" 2"-1.5"	94
		7	2.2								103
		10	3								118
		14	4								126
		18	5.5								140
LG-LR-20-26	26	3	1.5	12.5	0.13	100-2000	0.78	15.6	950(6P) (0-100hz可调)	1.5"-1" 2"-1.5"	94
		5	2.2								103
		8	3								118
		11	4								126
		15	5.5								140
LG-LR-20-48	48	3	1.5	23.5	0.22	100-2000	1.32	26.4	950(6P) (0-100hz可调)	1.5"-1" 2"-1.5"	94
		5	2.2								103
		8	3								118
		11	4								126
		15	5.5								140
LG-LR-30-26	26	4	3	12.5	0.20	100-2000	1.20	24	950(6P) (0-100hz可调)	2.5"-2" 3"-2.5"	172
		8	4								182
		12	5.5								218
		18	7.5								289
		3	3								172
LG-LR-30-36	36	7	4	17.5	0.29	100-2000	1.74	34.8	950(6P) (0-100hz可调)	2.5"-2" 3"-2.5"	182
		10	5.5								218
		15	7.5								289
		4	3								172
		8	4								182
LG-LR-30-60	60	12	5.5	29.5	0.46	100-2000	2.76	55.2	950(6P) (0-100hz可调)	2.5"-2" 3"-2.5"	218
		18	7.5								289
		4	3								172
		8	4								182
		12	5.5								218
LG-LR-70-32	32	4	4	15.5	0.53	100-1200	3.18	38.16	750(8P) (0-100hz可调)	4"-3" 4"-4"	391
		8	5.5								411
		12	7.5								428
		18	11								462
		4	4								391
LG-LR-70-48	48	7	5.5	23.5	0.79	100-1200	4.74	56.88	750(8P) (0-100hz可调)	4"-3" 4"-4"	411
		10	7.5								428
		15	11								462
		4	4								391
		8	5.5								411
LG-LR-70-80	80	12	7.5	39.5	1.40	100-1200	8.4	100.8	750(8P) (0-100hz可调)	4"-3" 4"-4"	428
		18	11								462
		4	4								391
		8	5.5								411
		12	7.5								428

变频电机斜齿轮螺杆泵选型表

Variable frequency motor helical gear screw pump selection table



型号 Model	螺杆间距 Screw spacing (mm)	压力 Pressure (bar)	电机 Motor (kw)	最大固体 Max solid (mm)	每转排量 Flow per rotation (L/r)	建议转速 范围(分钟) Suggested speed range (r/min)	建议转速 流量范围 Suggested flow range (m ³ /h)		泵头进口 Pump head inlet	泵体出口 Pump body outlet	重量 Net weight (kg)
LG-LR-20-18	18	5	1.1	8.5	0.09	100-1000	0.54	5.4	1.5"-2"	1.5"-1" 2"-1.5"	95
		10	1.5								104
		14	2.2								112
		18	3								120
		20	4								133
LG-LR-20-26	26	4	1.1	12.5	0.13	100-1000	0.78	7.8	1.5"-2"	1.5"-1" 2"-1.5"	95
		8	1.5								104
		12	2.2								112
		16	3								120
		18	4								133
LG-LR-20-48	48	5	1.1	23.5	0.09	100-1000	0.54	5.4	1.5"-2"	1.5"-1" 2"-1.5"	95
		10	1.5								104
		14	2.2								112
		18	3								120
		20	4								133
LG-LR-30-26	26	5	3	12.5	0.20	100-1000	1.2	12.0	2.5"-3"	2.5"-2" 3"-2.5"	166
		10	4								179
		15	5.5								288
		20	7.5								301
LG-LR-30-36	36	4	3	17.5	0.29	100-1000	1.74	17.4	2.5"-3"	2.5"-2" 3"-2.5"	166
		8	4								179
		12	5.5								288
		16	7.5								301
LG-LR-30-60	60	5	3	29.5	0.20	100-1000	1.2	12.0	2.5"-3"	2.5"-2" 3"-2.5"	166
		10	4								179
		15	5.5								288
		20	7.5								301
LG-LR-70-32	32	5	5.5	15.5	0.53	100-1000	3.18	31.8	3"-4"	4"-3" 4"-4"	384
		10	7.5								397
		15	11								534
		20	15								553
LG-LR-70-48	48	4	5.5	23.5	0.79	100-1000	4.74	47.4	3"-4"	4"-3" 4"-4"	384
		8	7.5								397
		12	11								534
		16	15								553
LG-LR-70-80	80	5	5.5	39.5	0.53	100-1000	3.18	31.8	3"-4"	4"-3" 4"-4"	384
		10	7.5								397
		15	11								534
		20	15								553

高洁净/超长寿命/最新设计 High purity, ultra-long life, latest design

产品特点和优势

- 具有CIP抽取和输送能力；泵体和泵盖可完全排放液体；
- 与介质接触区域轴和密封连接，无螺丝；
- 单机封和双机械密封配置选项；
- 所有型号均包含密封冲洗端口，可选配双机封密封；
- 蒸汽在线可用；
- 全不锈钢设计，包含齿轮箱。

简单安装拆卸

- 螺杆和轴采用花键连接设计、安装、拆卸简单方便；
- 无需更改配置，即可顺时针和逆时针旋转使用；
- 可以在各种粘度下使用该泵，而无需更换配置等。

产品特点

- 压力高达300 psi(20.0bar)；
- 专为延长使用寿命而设计的特殊螺杆锁紧螺母；
- 与介质接触区域没有轴承和螺钉；
- 大直径17-4PH轴，具有更高的强度和刚度。有助于减少振动并延长密封寿命；
- 采用高精度重型滚针轴承；
- 油润滑轴承，可在整个速度，温度和压力范围内进行正向润滑。

Product Features and Advantages

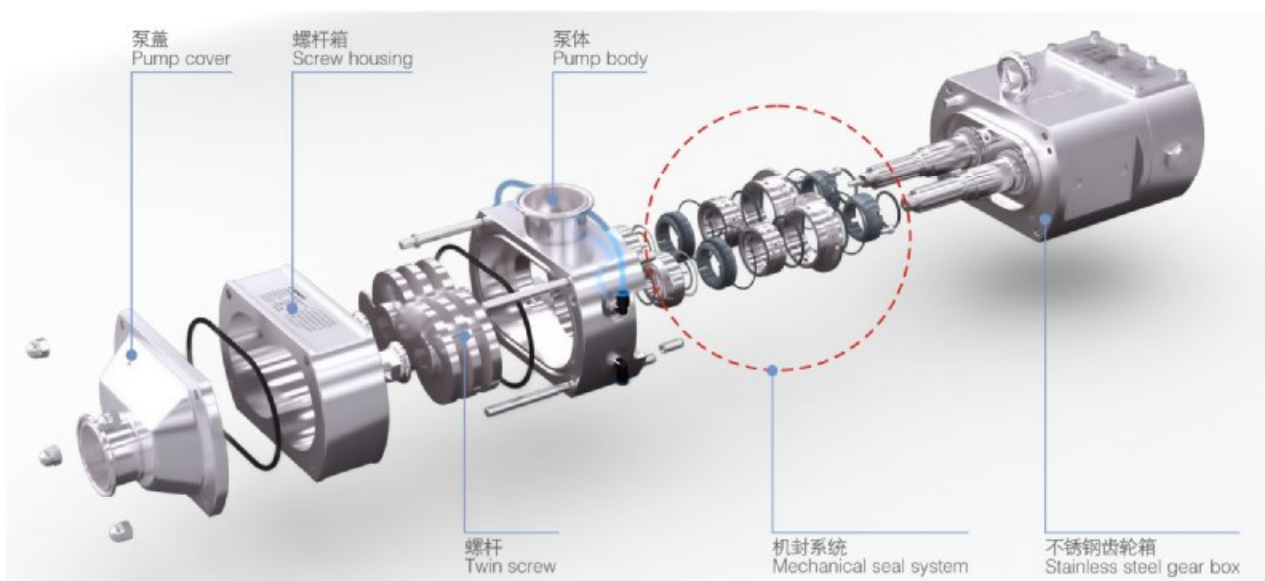
- With CIP extraction and delivery capacity; pump body and pump cover can discharge liquid completely.
- At the area contacting with medium, shaft and seal connect without screw.
- Single and Double mechanical seal options.
- All models have seal flush ports for optional double mechanical seal.
- Steam online available.
- All stainless steel design, including gearbox.

Simple Installation and Disassembly

- The screw and shaft are connected by spline, it's simple and convenient for installation and disassembly.
- Rotate clockwise and counterclockwise without changing configuration.
- The pump can be used for various viscosities without changing configurations, etc.

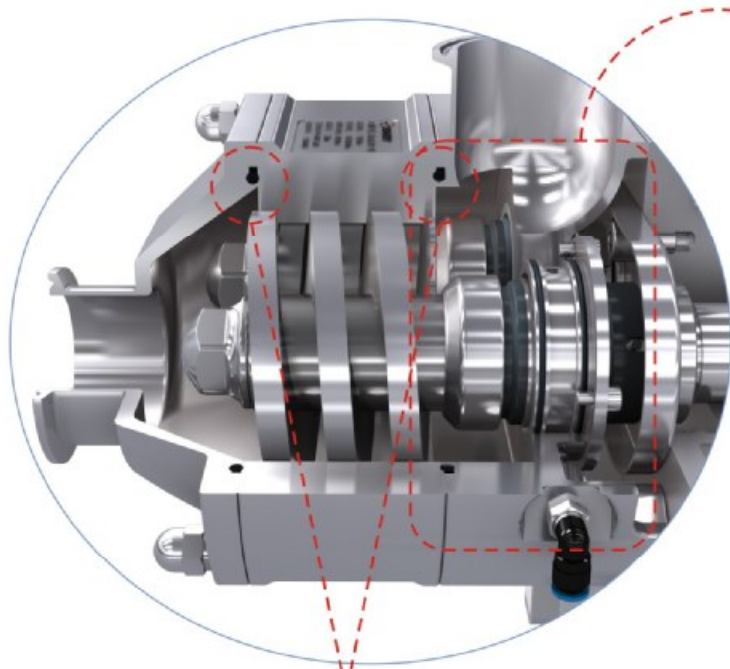
Features

- Pressure up to 300 psi (20.0 bar).
- Special screw lock nut designed to extend service life.
- There are no bearings and screws at the area contacting with medium.
- Large diameter 17-4PH shaft for higher strength and stiffness, helping to reduce vibration and extend seal life.
- High precision heavy duty needle roller bearings.
- Oil-lubricated bearings can be forward lubrication over the entire speed, temperature and pressure range.



双螺杆泵机封设计

Twin screw pump mechanical seal design



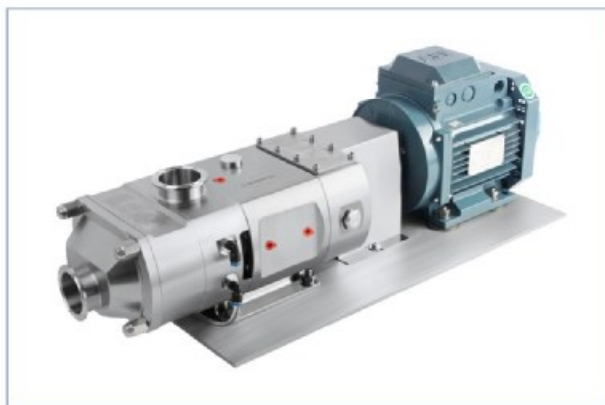
O型圈 O Ring



单机封设计
Single mechanical seal



双机封设计
Double mechanical seal



机封配置 Mechanical Seal Configuration

- | | | |
|---------------|-----------------|---------------|
| 1) SIC/C/EPDM | 4) SIC/SIC/EPDM | 7) TC/TC/EPDM |
| 2) SIC/C/FKM | 5) SIC/SIC/FKM | 8) TC/TC/FKM |
| 3) SIC/C/HNBR | 6) SIC/SIC/HNBR | 9) TC/TC/HNBR |

宽电压电机 Wide Input Range Motor

功率 Power(kw)	电压范围 Voltage	功率 Power(kw)	电压范围 Voltage
0.55kw	210V-230V/50HZ 360V-400V/50HZ 420V-460V/60HZ	4.0-5.5kw	360V-400V/50HZ 630V-690V/50HZ 420V-460V/60HZ
0.75kw		7.5-11kw	
1.1-1.5kw		15-18.5kw	
2.2-3.0kw		22-30kw	

注意：电机采用 IEC EN IE2 能效等级，PTC 热敏电阻。（相当于中国二级能效）

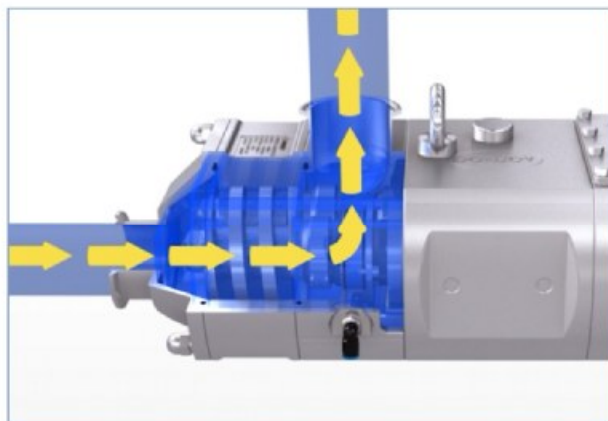
Note: The motor adopts IEC EN IE2 energy efficiency class, PTC thermistor. (Corresponding to China two energy efficiency)

注意：其他电机功率、电压、频率等，请联系东正。

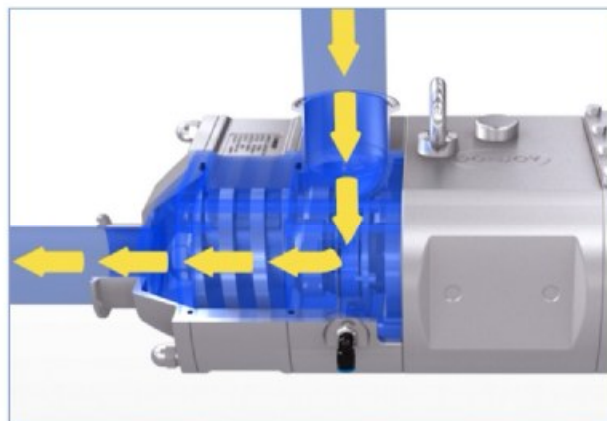
Note: Other motor power, voltage, frequency, etc., please contact DONJOY.

泵进口/出口连接标准

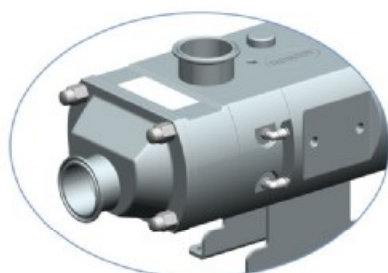
Pump inlet/outlet connection standard



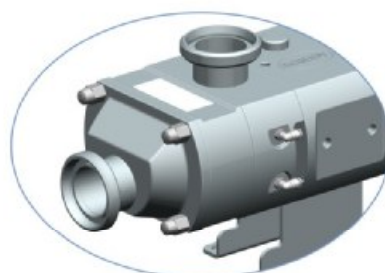
顺时针旋转时泵盖为进口，泵体为出口。
When clockwise rotation, pump cover is inlet and pump body is outlet.



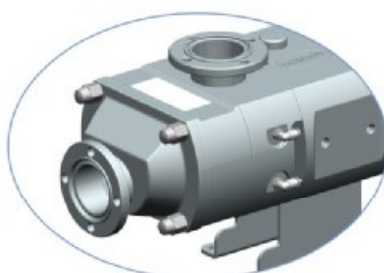
逆时针旋转时，泵盖为出口，泵体为进口。
When rotating counterclockwise, pump cover is outlet and pump body is inlet.



卡箍式 Clamp



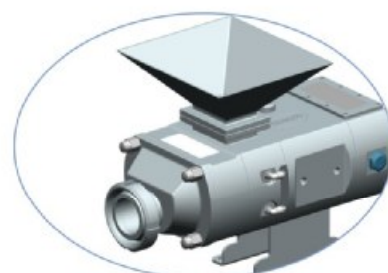
螺纹式 Threaded



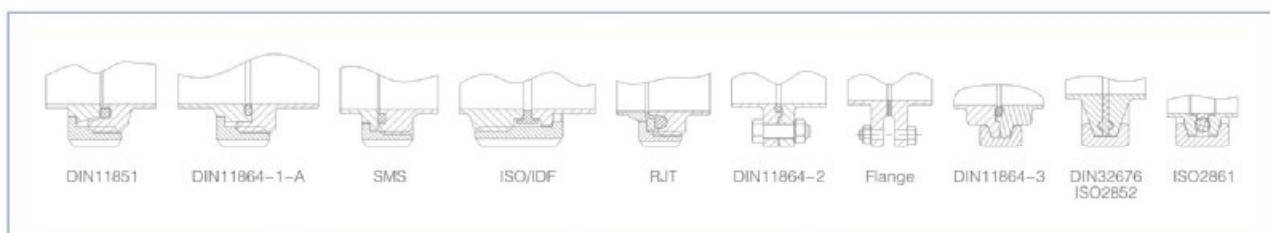
无菌法兰式 Aseptic flange



螺母式 Nut type

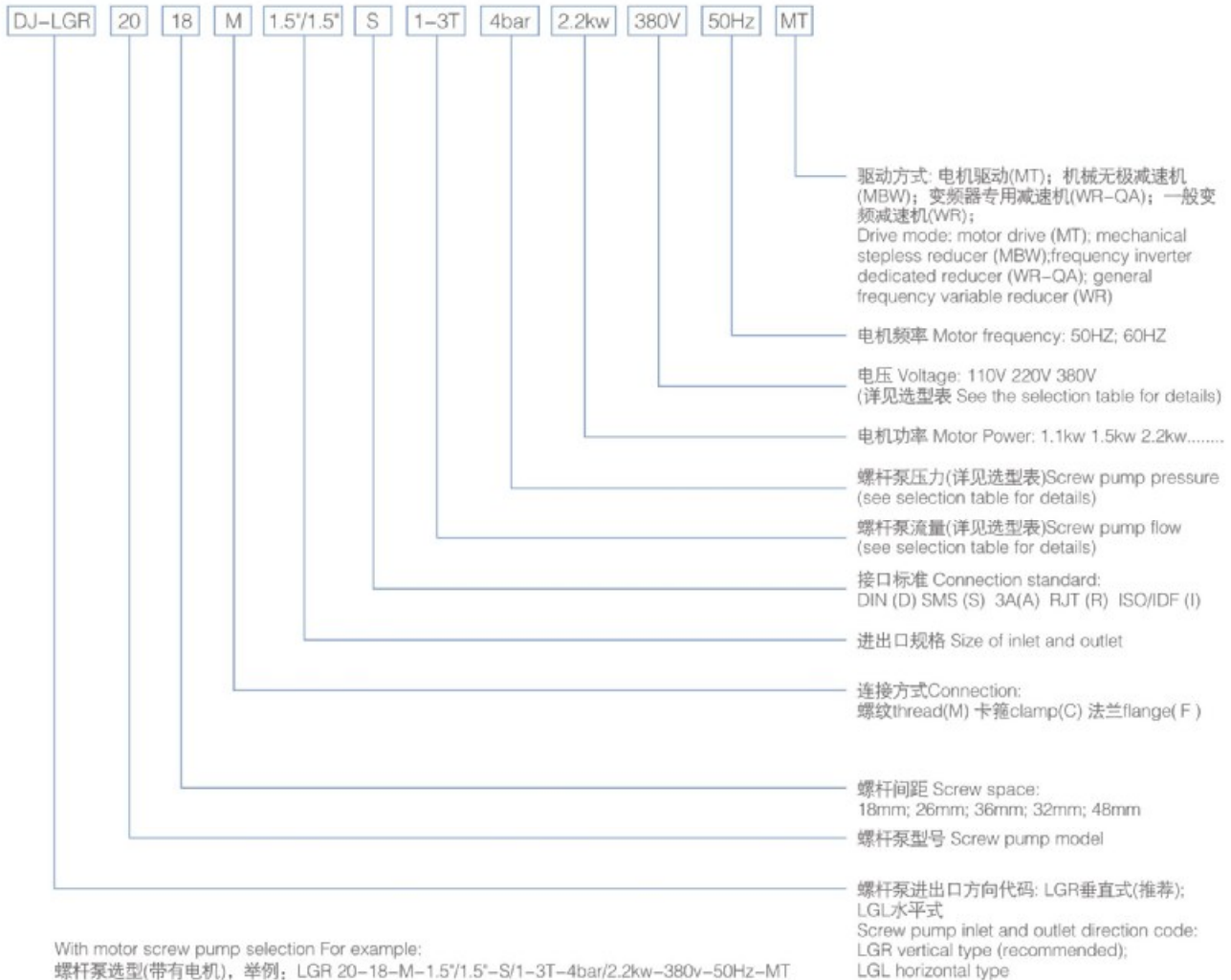


法兰料斗式 Flange hopper



双螺杆泵型号说明

Twin screw pump model description



⚠️ 电机和减速机相关技术说明

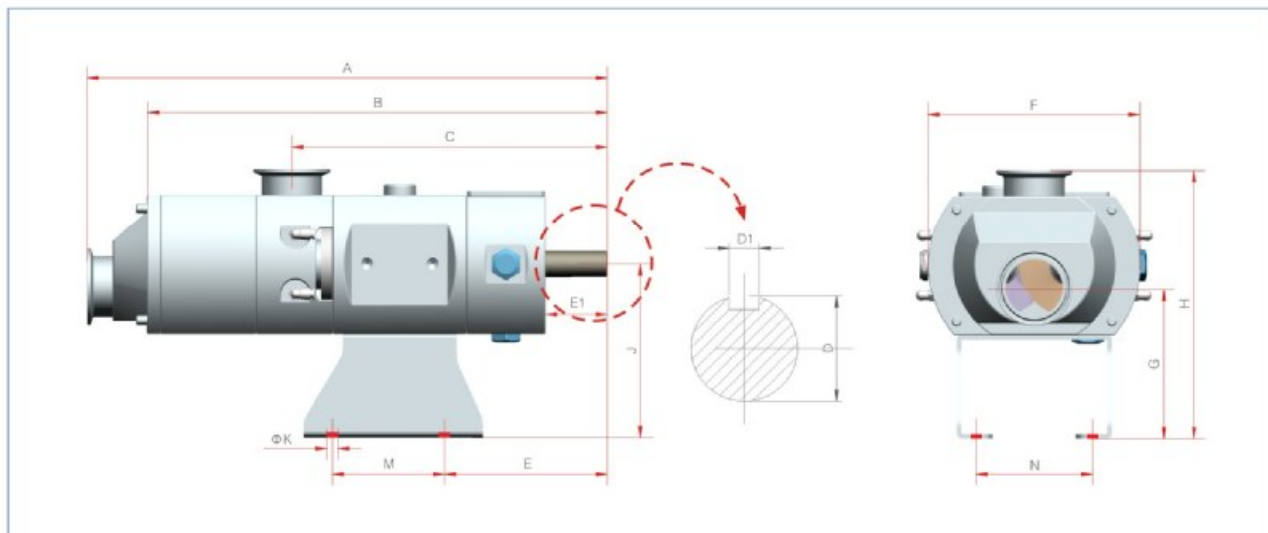
- 电机驱动(MT), 是指螺杆泵是直接通过电机来驱动, 也可以通过变频器控制电机频率, 达到调速的目的;
- 机械无极减速机(MBW), 该配置通过机械摩擦无极调节器, 手动调节的方式实现输出转速可调。
- 变频专用减速机(WR-QA), 该配置是通过变频专用电机, 利用变频器来控制电机频率达到调速的目的。(变频专用电机配有独立风扇, 可调频率范围: 0-80HZ)
- 一般变频减速机(WR), 该配置是可通过变频器来控制电机频率, 达到调速的目的(一般变频电机未配置独立风扇, 可调频率范围: 30-60HZ); 如果未配置变频器, 那么输出转速是根据电机转速和减速机齿数比的关系输出最终的转速(通常称之为定速比输出)

Motor and reducer related technical instruction

- Motor drive (MT) means that the screw pump is driven directly by the motor, or the frequency of the motor can be controlled by the inverter to achieve the purpose of speed adjusting.
- Mechanical stepless reducer (MBW), this configuration is adjustable by means of mechanical friction stepless regulator, manual adjustment
- Frequency conversion dedicated reducer (WR-QA), this configuration is through the frequency conversion dedicated motor, using the frequency converter to control the motor frequency to achieve the purpose of speed regulation. (Inverter dedicated motor is with independent fan, adjustable frequency range: 0-80HZ).
- General variable frequency reducer (WR), this configuration can control the motor frequency through the inverter to achieve the purpose of speed regulation (general inverter motor is not equipped with independent fan, adjustable frequency range: 30-60HZ); if the inverter is not configured, then the output speed is based on the relationship between the motor speed and the gear ratio of the reducer. (usually called the fixed speed ratio output).

DJ-LGR 螺杆泵尺寸数据图

DJ-LGR screw pump dimension data chart



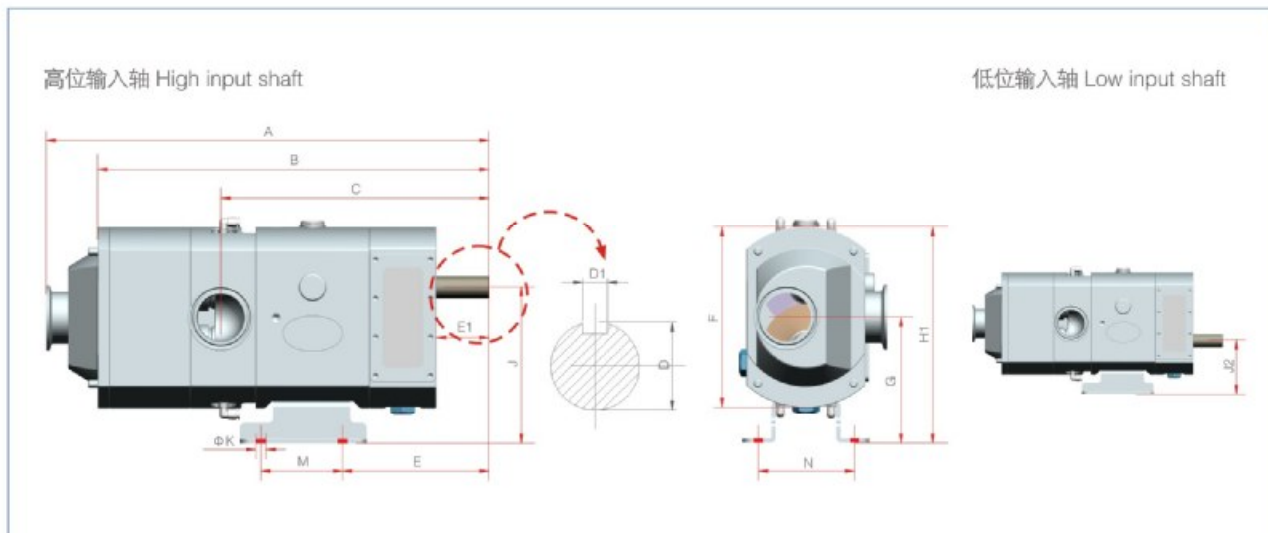
系列 Model	Cover port (Inlet)	Body port (out)	外形安装尺寸 Assembly Dimension											备注 Remark	
	进口 Inlet	出口 Outlet	B	C	D	D1	E	E1	F	G	J	K	M		N
DJ-LGR-20-18	1.5"-2"	1"-1.5"	385	265	22	6	122	52	178	127	145	12	115.5	95	
DJ-LGR-20-26	1.5"-2"	1"-1.5"	385	265	22	6	122	52	178	127	145	12	115.5	95	
DJ-LGR-20-48	1.5"-2"	1"-1.5"	385	265	22	6	122	52	178	127	145	12	115.5	95	
DJ-LGR-30-26	2.5"-3"	2"-3"	520	354	25	8	181	57.5	225	162	180	12	190	125	
DJ-LGR-30-36	2.5"-3"	2"-3"	520	354	25	8	181	57.5	225	162	180	12	190	125	
DJ-LGR-30-60	2.5"-3"	2"-3"	520	354	25	8	181	57.5	225	162	180	12	190	125	
DJ-LGR-70-32	3"-4"	3"-4"	634	411	42	8	196	73	322	206	240	18	300	194	
DJ-LGR-70-48	3"-4"	3"-4"	634	411	42	8	196	73	322	206	240	18	300	194	
DJ-LGR-70-80	3"-4"	3"-4"	634	411	42	8	196	73	322	206	240	18	300	194	

系列 Model	卡箍式 Clamp		螺纹式 Thread		法兰式 Flange	
	A	H	A	H	A	H
DJ-LGR-20-18	436	225	445	234	447	231
DJ-LGR-20-26	436	225	445	234	447	231
DJ-LGR-20-48	436	225	445	234	447	231
DJ-LGR-30-26	589	280	601	296	595	289
DJ-LGR-30-36	589	280	601	296	595	289
DJ-LGR-30-60	589	280	601	296	595	289
DJ-LGR-70-32	720	376	727	383	730	386
DJ-LGR-70-48	720	376	727	383	730	386
DJ-LGR-70-80	720	376	727	383	730	386



DJ-LGL 螺杆泵尺寸数据图

DJ-LGL screw pump dimension data chart



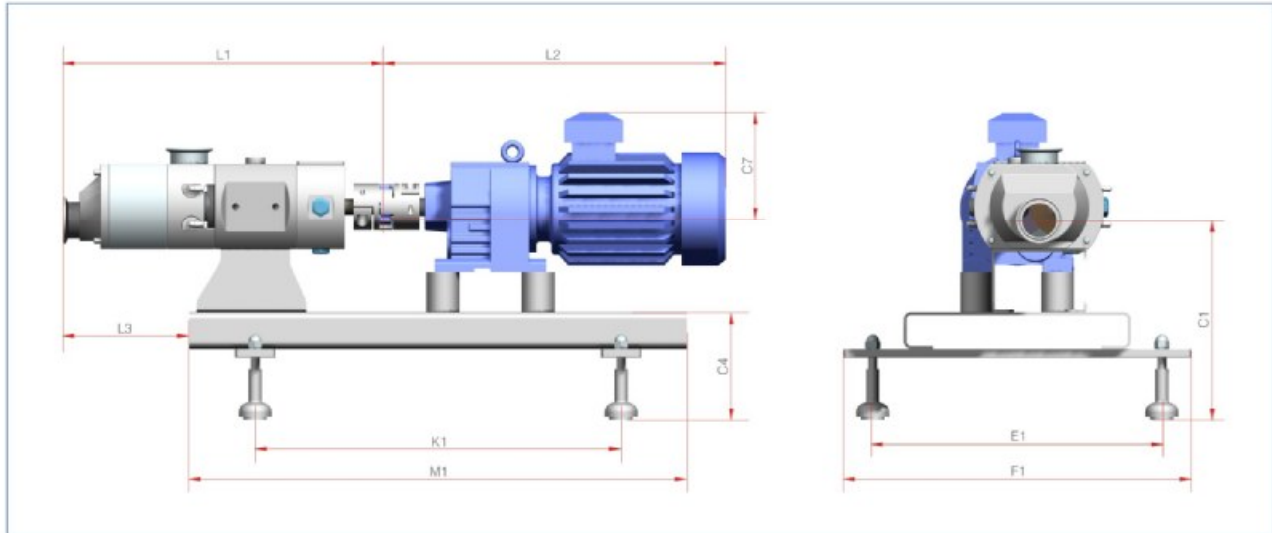
系列 Model	Cover port (Inlet)	Body port (out)	外形安装尺寸 Assembly Dimension													备注 Remark	
	进口 Inlet	出口 Outlet	B	C	D	D1	E	E1	F	G	H1	J	K	M	N		J2
DJ-LGL-20-18	1.5"-2"	1"-1.5"	385	265	22	6	133	52	178	123	217	153	12	116	100	93	
DJ-LGL-20-26	1.5"-2"	1"-1.5"	385	265	22	6	133	52	178	123	217	153	12	116	100	93	
DJ-LGL-20-48	1.5"-2"	1"-1.5"	385	265	22	6	133	52	178	123	217	153	12	116	100	93	
DJ-LGL-30-26	2.5"-3"	2"-3"	520	354	25	8	184	57.5	225	149	265	187	12	190	125	112	
DJ-LGL-30-36	2.5"-3"	2"-3"	520	354	25	8	184	57.5	225	149	265	187	12	190	125	112	
DJ-LGL-30-60	2.5"-3"	2"-3"	520	354	25	8	184	57.5	225	149	265	187	12	190	125	112	
DJ-LGL-70-32	3"-4"	3"-4"	634	411	42	8	196	73	322	226	390	286	18	300	193	166	
DJ-LGL-70-48	3"-4"	3"-4"	634	411	42	8	196	73	322	226	390	286	18	300	193	166	
DJ-LGL-70-80	3"-4"	3"-4"	634	411	42	8	196	73	322	226	390	286	18	300	193	166	

系列 Model	卡箍式 Clamp	螺纹式 Thread	法兰式 Flange
	A	A	A
DJ-LGL-20-18	436	445	447
DJ-LGL-20-26	436	445	447
DJ-LGL-20-48	436	445	447
DJ-LGL-30-26	589	601	595
DJ-LGL-30-36	589	601	595
DJ-LGL-30-60	589	601	595
DJ-LGL-70-32	720	727	730
DJ-LGL-70-48	720	727	730
DJ-LGL-70-80	720	727	730



LGR 螺杆泵电机+减速机驱动-数据图

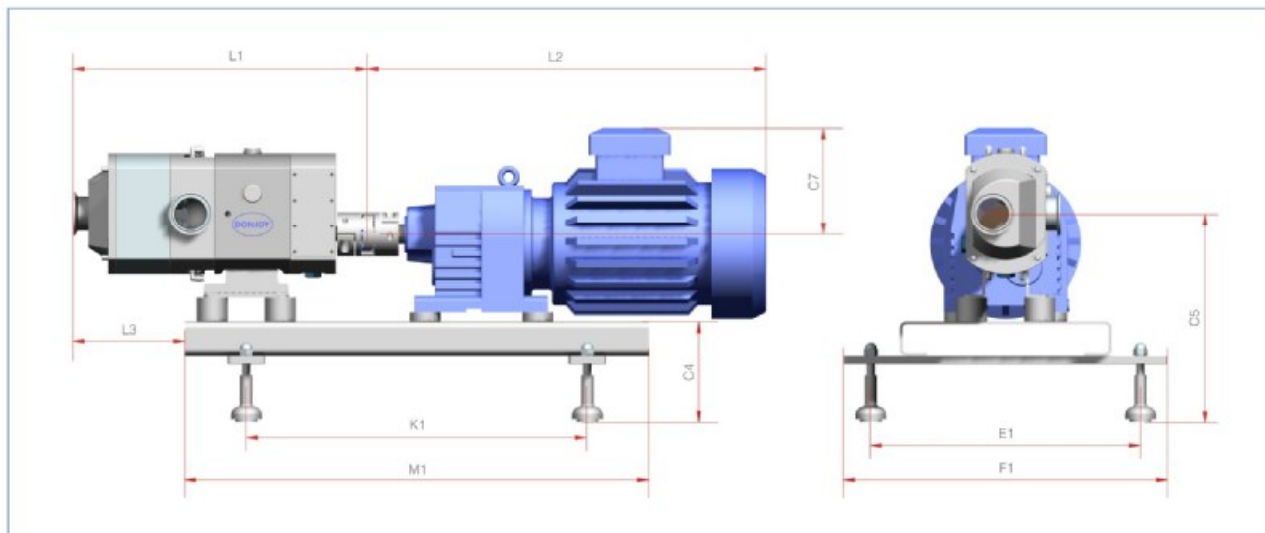
LGR series screw pump motor+reducer drive data chart



系列 Model	电机功率 Motor power (kw)	DJ-LGR-螺杆泵尺寸 DJ-LGR-Screw pump dimension								不同的进口/出口连接类型, 尺寸 Different inlet/outlet connection way and size					
		外形安装尺寸 Assembly Dimension								卡箍连接 Clamp		螺纹连接 Thread		法兰连接 Flange	
		C1	C4	K1	F1	M1	E1	C7	L2	L1	L3	L1	L3	L1	L3
DJ-LGR-20-18	1.1KW	261.5	116.5	540	475	710	395	276	471	447	166	455	175	457	177
	1.5KW							276	471						
	2.2KW							295	503						
	3.0KW							295	503						
	4.0KW							315	600						
DJ-LGR-20-26	1.1KW	261.5	116.5	540	475	710	395	276	471	447	166	456	175	458	177
	1.5KW							276	471						
	2.2KW							295	503						
	3.0KW							295	503						
	4.0KW							315	600						
DJ-LGR-20-48	1.1KW	261.5	116.5	540	475	710	395	276	471	447	166	456	175	458	177
	1.5KW							276	471						
	2.2KW							295	503						
	3.0KW							295	503						
	4.0KW							315	600						
DJ-LGR-30-26	3.0KW	301.5	121.5	600	555	810	475	330	503	600	180	612	192	606	186
	4.0KW			620				350	600						
	5.5KW	311.5	131.5	770	625	980	545	350	680						
	7.5KW			350				710							
	3.0KW			330				503							
DJ-LGR-30-36	4.0KW	301.5	121.5	600	555	810	475	330	503	601	180	613	192	607	186
	5.5KW			620				350	600						
	7.5KW	311.5	131.5	770	625	980	545	350	680						
	3.0KW			330				503							
	4.0KW			350				710							
DJ-LGR-30-60	5.5KW	301.5	121.5	600	555	810	475	330	503	601	180	613	192	607	186
	7.5KW			620				350	600						
	11KW	311.5	131.5	770	625	980	545	350	680						
	15KW			350				710							
	5.5KW			410				680							
DJ-LGR-70-32	7.5KW	371.5	131.5	670	625	980	545	410	680	731	180	738	187	741	191
	11KW			610				410	710						
	15KW	371.5	131.5	920	625	1130	545	493	864						
	5.5KW			410				680							
	7.5KW			410				710							
DJ-LGR-70-48	11KW	371.5	131.5	670	625	980	545	410	680	732	180	739	187	742	191
	15KW			610				410	710						
	5.5KW	371.5	131.5	920	625	1130	545	493	864						
	7.5KW			410				680							
	11KW			410				710							
DJ-LGR-70-80	15KW	371.5	131.5	920	625	1130	545	493	864	732	180	739	187	742	191
	5.5KW			410				680							
	7.5KW	410	710												
	11KW	493	864												
	15KW	493	864												

LGL 螺杆泵电机驱动-数据图

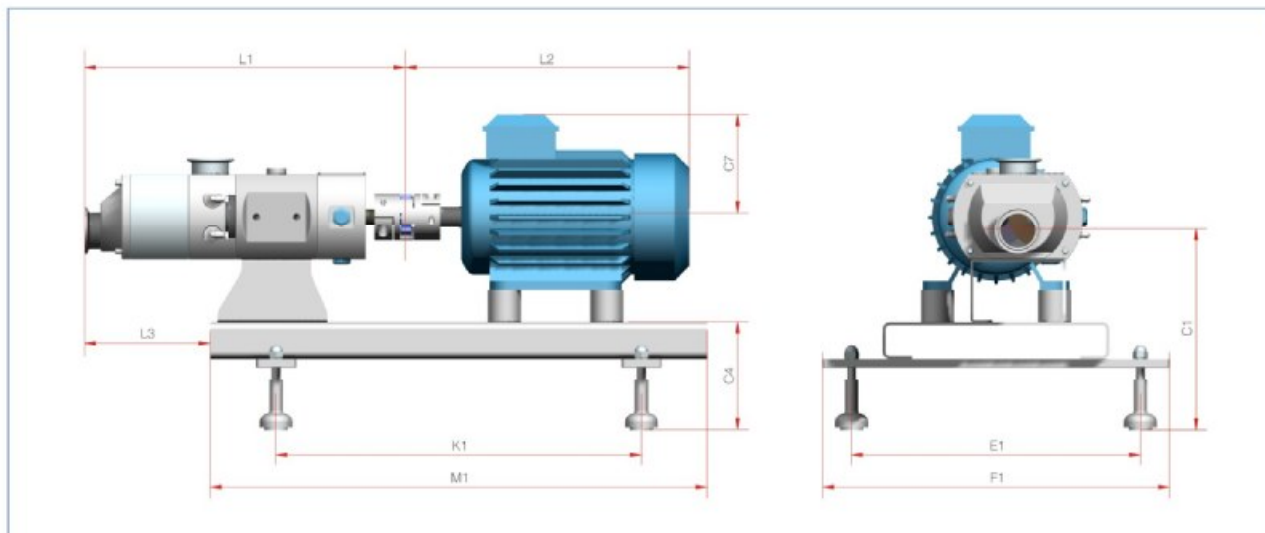
LGL series screw pump motor drive data chart



系列 Model	电机功率 Motor power (kw)	DJ-LGL-螺杆泵系列(带有电机) DJ-LGL series screw pump (With motor)								不同的进口/出口连接类型, 尺寸 Different inlet/outlet connection way and size									
		外形安装尺寸 Assembly Dimension								卡箍连接 Clamp		螺纹连接 Thread		法兰连接 Flange					
		C4	K1	C5	E1	F1	M1	C7	L2	L1	L3	L1	L3	L1	L3				
DJ-LGL-20-18	1.1KW	116.5	540	240	395	475	710	221	471	446	170	455	179	457	180				
	1.5kw							471											
	2.2KW	503																	
	4KW	285	600																
DJ-LGL-20-26	1.1KW	116.5	540	240	395	475	710	221	471	447	170	456		458	180				
	1.5kw							471											
	2.2KW	503																	
	4KW	285	600																
DJ-LGL-20-48	1.1KW	116.5	540	240	395	475	710	221	471	447	170	456		458	180				
	1.5kw							471											
	2.2KW	503																	
	4KW	285	600																
DJ-LGL-30-26	3.0kw	121.5	600	271	475	555	810	269	503	600	180	612	192	606	186				
	4KW		620	287.5				285	600										
	5.5KW	131.5	770	299				545	625							980	279	680	
	7.5kw		284	545				625	980							273	710		
DJ-LGL-30-36	3.0kw	121.5	600	271	475	555	810	269	503	600	180	612	192	607	186				
	4KW		620	287.5				285	600										
	5.5KW	131.5	770	299				545	625							980	279	680	
	7.5kw		284	545				625	980							273	710		
DJ-LGL-30-60	3.0kw	121.5	600	271	475	555	810	269	503	600	180	612	192	607	186				
	4KW		620	287.5				285	600										
	5.5KW	131.5	770	299				545	625							980	279	680	
	7.5kw		284	545				625	980							273	710		
DJ-LGL-70-32	5.5KW	131.5	670	358	545	625	980	315	680	731	180	738	187	741	191				
	7.5kw		610					325	710										
	11KW	131.5	920					358	545							625	1130	535	864
	15KW		864																
DJ-LGL-70-48	5.5KW	131.5	670	358	545	625	980	315	680	731	180	738	187	742	191				
	7.5kw		610					325	710										
	11KW	131.5	920					358	545							625	1130	535	864
	15KW		864																
DJ-LGL-70-80	5.5KW	131.5	670	358	545	625	980	315	680	731	180	738	187	742	191				
	7.5kw		610					325	710										
	11KW	131.5	920					358	545							625	1130	535	864
	15KW		864																

LGR 螺杆泵电机驱动-数据图

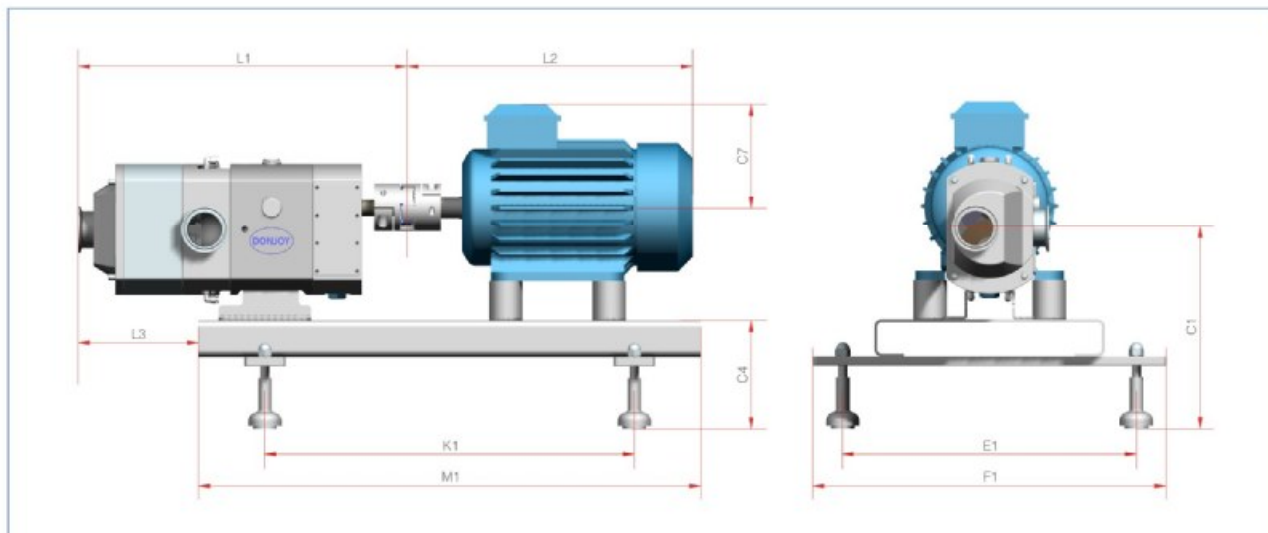
LGR series screw pump motor drive data chart



系列 Model	电机功率 Motor power (kw)	DJ-LGR-螺杆泵系列(带有电机) DJ-LGR screw pump series (With motor)								不同的进口/出口连接类型, 尺寸 Different inlet/outlet connection way and size					
		外形安装尺寸 Assembly Dimension								卡箍连接 Clamp		螺纹连接 Thread		法兰连接 Flange	
		C1	C4	K1	E1	F1	M1	C7	L2	L1	L3	L1	L3	L1	L3
DJ-LGR-20-18	1.5KW	261.5	116.5	540	395	475	710	285	386	446	166	455	175	457	177
	2.2KW	261.5	116.5	540	395	475	710	285	421						
	3KW	266.5	121.5	540	395	475	710	314	489						
	4KW-5.5KW	266.5	121.5	540	395	475	710	314	531						
DJ-LGR-20-26	1.5KW	261.5	116.5	540	395	475	710	285	386	446	166	455	175	457	177
	2.2KW	261.5	116.5	540	395	475	710	285	421						
	3KW	266.5	121.5	540	395	475	710	314	489						
	4KW-5.5KW	266.5	121.5	540	395	475	710	314	531						
DJ-LGR-20-48	1.5KW	261.5	116.5	540	395	475	710	285	386	446	166	455	175	457	177
	2.2KW	261.5	116.5	540	395	475	710	285	421						
	3KW	266.5	121.5	540	395	475	710	314	489						
	4KW-5.5KW	266.5	121.5	540	395	475	710	314	531						
DJ-LGR-30-26	3KW	301.5	121.5	600	475	555	810	349	489	600	180	612	192	606	186
	4KW-5.5KW	301.5	121.5	600	475	555	810	349	531						
	7.5KW	311.5	131.5	770	545	625	980	433	596.5						
DJ-LGR-30-36	3KW	301.5	121.5	600	475	555	810	349	489	600	180	612	192	606	186
	4KW-5.5KW	301.5	121.5	600	475	555	810	349	531						
	7.5KW	311.5	131.5	800	545	625	980	433	596.5						
DJ-LGR-30-60	3KW	301.5	121.5	630	475	555	810	349	489	600	180	612	192	606	186
	4KW-5.5KW	301.5	121.5	630	475	555	810	349	531						
	7.5KW	311.5	131.5	770	545	625	980	433	596.5						
DJ-LGR-70-32	4KW-5.5KW	371.5	131.5	920	545	625	1130	500	600	731	180	738	187	741	191
	7.5KW	371.5	131.5	820	545	625	1130	500	645						
	11KW	371.5	131.5	920	545	625	1130	515	710						
DJ-LGR-70-48	4KW-5.5KW	371.5	131.5	920	545	625	1130	500	600	731	180	738	187	741	191
	7.5KW	371.5	131.5	820	545	625	1130	500	645						
	11KW	371.5	131.5	920	545	625	1130	515	710						
DJ-LGR-70-80	4KW-5.5KW	371.5	131.5	920	545	625	1130	500	600	731	180	738	187	741	191
	7.5KW	371.5	131.5	820	545	625	1130	500	645						
	11KW	371.5	131.5	920	545	625	1130	515	710						

LGL 螺杆泵电机驱动-数据图

LGL Series screw pump motor drive data chart



系列 Model	电机功率 Motor power (kw)	DJ-LGL-螺杆泵系列(带有电机) DJ-LGL screw pump series (With motor)								不同的进口/出口连接类型, 尺寸 Different inlet/outlet connection way and size					
		外形安装尺寸 Assembly Dimension								卡箍连接 Clamp		螺纹连接 Thread		法兰连接 Flange	
		C1	C4	K1	E1	F1	M1	C7	L2	L1	L3	L1	L3	L1	L3
DJ-LGL-20-18	1.5KW	240	116.5	540	395	475	710	293	386	446	169.5	455	179	457	180
	2.2KW	240	116.5	540	395	475	710	293	421						
	3KW	245	121.5	540	395	475	710	322	489						
	4-5.5KW	245	121.5	540	395	475	710	322	531						
DJ-LGL-20-26	1.5KW	240	116.5	540	395	475	710	293	386	446	169.5	455	179	457	180
	2.2KW	240	116.5	540	395	475	710	293	421						
	3KW	245	121.5	540	395	475	710	322	489						
	4-5.5KW	245	121.5	540	395	475	710	322	531						
DJ-LGL-20-48	1.5KW	240	116.5	540	395	475	710	293	386	446	169.5	455	179	457	180
	2.2KW	240	116.5	540	395	475	710	293	421						
	3KW	245	121.5	540	395	475	710	322	489						
	4-5.5KW	245	121.5	540	395	475	710	322	531						
DJ-LGL-30-26	3KW	271	121.5	600	475	555	810	356	489	600	180	612	192	606	186
	4-5.5KW	271	121.5	600	475	555	810	356	531						
	7.5KW	281	131.5	770	545	625	980	539	596.5						
DJ-LGL-30-36	3KW	271	121.5	600	475	555	810	356	489	600	180	612	192	606	186
	4-5.5KW	271	121.5	600	475	555	810	356	531						
	7.5KW	281	131.5	800	545	625	980	539	596.5						
DJ-LGL-30-60	3KW	271	121.5	630	475	555	810	356	489	600	180	612	192	606	186
	4-5.5KW	271	121.5	630	475	555	810	356	531						
	7.5KW	281	131.5	770	545	625	980	539	596.5						
DJ-LGR-70-32	4KW-5.5KW	371.5	131.5	960	545	625	1130	426	610	731	180	738	187	741	191
	7.5KW	371.5	131.5	820	545	625	1130	426	655						
	11KW	385.5	131.5	920	545	625	1130	455	720						
DJ-LGR-70-48	4KW-5.5KW	371.5	131.5	960	545	625	1130	426	610	731	180	738	187	741	191
	7.5KW	371.5	131.5	820	545	625	1130	426	655						
	11KW	385.5	131.5	920	545	625	1130	455	720						
DJ-LGR-70-80	4KW-5.5KW	371.5	131.5	960	545	625	1130	426	610	731	180	738	187	741	191
	7.5KW	371.5	131.5	820	545	625	1130	426	655						
	11KW	385.5	131.5	920	545	625	1130	455	720						



DONJOY looking forward to your visit! Your telecommunications!



东正科技有限公司 DONJOY TECHNOLOGY CO., LTD

地址: 温州空港新区港富路25号
总机: 0577 8699 0888
传真: 0577 8699 8000

ADD: No.25 Gangfu Road, Konggang
New District, Longwan, Wenzhou, China
TEL: +86 577 8699 0888
FAX: +86 577 8699 8000
E-mail: donjoy@cndonjoy.com

www.cndonjoy.com

法律声明:

目录样册版权归东正所有, 如有抄袭, 必将追究其法律责任和经济赔偿。
东正已获得国家版权局书刊号。东正诸多产品技术, 都具有专利保护, 如有抄袭, 必将追究法律责任和经济赔偿。

Legal statement:

Copyright of the catalogue belongs to Donjoy. If there is plagiarism, it will be investigated for legal responsibility and economic compensation. Donjoy has been granted publications number by Chinese National Copyright. Donjoy products and technology are with patent protection. If there is plagiarism, it will be investigated for legal responsibility and economic compensation.